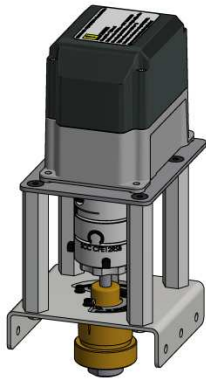
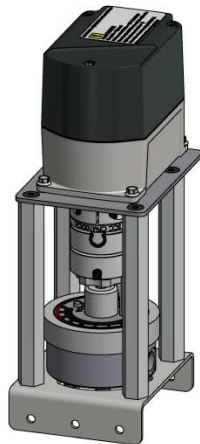


VA Series

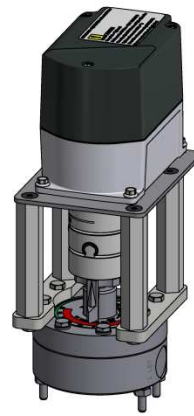
VA... Valve Actuator Assemblies with Hauck Oil Valves



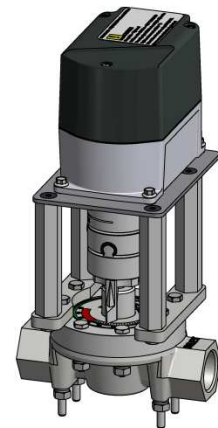
S Series



AS Series



B & F Series



G & K Series

Description

VA... valve actuator assemblies include a Siemens SQM... actuator reliably mounted to a Hauck oil valve.

Features

- Engineered for precise shaft alignment with less actuator wear
- Valve assemblies with S, AS, B, F, G, and K series Hauck valves available
- Valve assembly includes Siemens SQM33, SQM45, or SQM48 actuator
- Rigid and robust design

Application

VA... valve actuator assemblies mount an SQM33, SQM45, or SQM48 actuator to a Hauck oil valve. A variety of Hauck oil valves are available to accommodate a wide range of flow rates and applications. The Hauck oil valve and SQM... actuator are rigidly mounted with Siemens engineered brackets and couplings to ensure precise shaft alignment.

Product Part Numbers

Table 1 lists available VA... assembly part numbers including an SQM33 actuator. Technical instructions (N7813) for SQM33 actuators are available at www.scccombustion.com.

Table 1: Available VA... Assemblies Using an SQM33 Actuator

Part Number	Description
VA33-S33	SQM33.550A9 to S-3-3 Hauck oil valve
VA33-S35	SQM33.550A9 to S-3-5 Hauck oil valve
VA33-S37	SQM33.550A9 to S-3-7 Hauck oil valve
VA33-S39	SQM33.550A9 to S-3-9 Hauck oil valve
VA33-S311	SQM33.550A9 to S-3-11 Hauck oil valve
VA33-S313	SQM33.550A9 to S-3-13 Hauck oil valve
VA33-S31610	SQM33.550A9 to S-3-1610 Hauck oil valve
VA33-AS33	SQM33.550A9 to AS-3-3 Hauck oil valve
VA33-AS35	SQM33.550A9 to AS-3-5 Hauck oil valve
VA33-AS37	SQM33.550A9 to AS-3-7 Hauck oil valve
VA33-AS39	SQM33.550A9 to AS-3-9 Hauck oil valve
VA33-AS311	SQM33.550A9 to AS-3-11 Hauck oil valve

Table 2 lists available VA... assembly part numbers including an SQM45 actuator. Technical instructions (N7814) for SQM45 actuators are available at www.scccombustion.com.

Table 2: Available VA... Assemblies Using an SQM45 Actuator

Part Number	Description
VA45.2-S33	SQM45.295A9 to S-3-3 Hauck oil valve
VA45.2-S35	SQM45.295A9 to S-3-5 Hauck oil valve
VA45.2-S37	SQM45.295A9 to S-3-7 Hauck oil valve
VA45.2-S39	SQM45.295A9 to S-3-9 Hauck oil valve
VA45.2-S311	SQM45.295A9 to S-3-11 Hauck oil valve
VA45.2-S313	SQM45.295A9 to S-3-13 Hauck oil valve
VA45.2-S31610	SQM45.295A9 to S-3-1610 Hauck oil valve
VA45.2-AS33	SQM45.295A9 to AS-3-3 Hauck oil valve
VA45.2-AS35	SQM45.295A9 to AS-3-5 Hauck oil valve
VA45.2-AS37	SQM45.295A9 to AS-3-7 Hauck oil valve
VA45.2-AS39	SQM45.295A9 to AS-3-9 Hauck oil valve
VA45.2-AS311	SQM45.295A9 to AS-3-11 Hauck oil valve

Product Part Numbers (continued)

Table 3 lists available VA... assembly part numbers including an SQM48 actuator. Technical instructions (N7814) for SQM48 actuators are available at www.scccombustion.com.

Table 3: Available VA... Assemblies Using an SQM48 Actuator

Part Number	Description
VA48.4-S33	SQM48.497A9 to S-3-3 Hauck oil valve
VA48.4-S35	SQM48.497A9 to S-3-5 Hauck oil valve
VA48.4-S37	SQM48.497A9 to S-3-7 Hauck oil valve
VA48.4-S39	SQM48.497A9 to S-3-9 Hauck oil valve
VA48.4-S311	SQM48.497A9 to S-3-11 Hauck oil valve
VA48.4-S313	SQM48.497A9 to S-3-13 Hauck oil valve
VA48.4-S31610	SQM48.497A9 to S-3-1610 Hauck oil valve
VA48.4-AS33	SQM48.497A9 to AS-3-3 Hauck oil valve
VA48.4-AS35	SQM48.497A9 to AS-3-5 Hauck oil valve
VA48.4-AS37	SQM48.497A9 to AS-3-7 Hauck oil valve
VA48.4-AS39	SQM48.497A9 to AS-3-9 Hauck oil valve
VA48.4-AS311	SQM48.497A9 to AS-3-11 Hauck oil valve
VA48.4-B.5-12	SQM48.497A9 to B-1/2-12 Hauck oil valve
VA48.4-B.5-16	SQM48.497A9 to B-1/2-16 Hauck oil valve
VA48.4-B.5-18	SQM48.497A9 to B-1/2-18 Hauck oil valve
VA48.4-B.5-20	SQM48.497A9 to B-1/2-20 Hauck oil valve
VA48.4-B.5-24	SQM48.497A9 to B-1/2-24 Hauck oil valve
VA48.4-F.5-16	SQM48.497A9 to F-1/2-16 Hauck oil valve
VA48.4-F.5-18	SQM48.497A9 to F-1/2-18 Hauck oil valve
VA48.4-F.5-20	SQM48.497A9 to F-1/2-20 Hauck oil valve
VA48.4-F.5-24	SQM48.497A9 to F-1/2-24 Hauck oil valve
VA48.4-G-1.0-29	SQM48.497A9 to G-1-29 Hauck oil valve
VA48.4-K-1.0-29	SQM48.497A9 to K-1-29 Hauck oil valve
VA48.4-K-1.0-38	SQM48.497A9 to K-1-38 Hauck oil valve

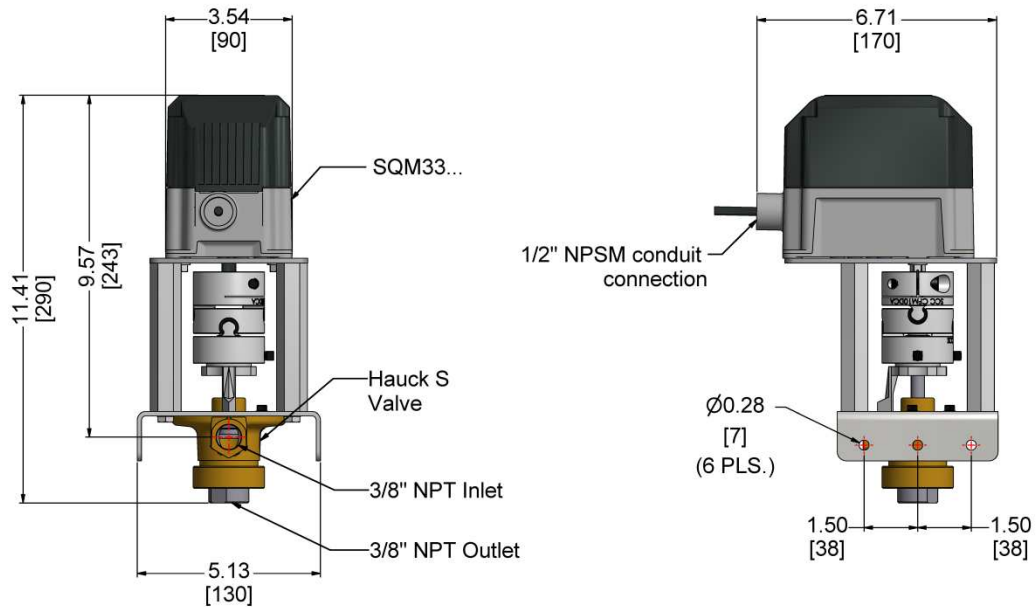
Installation

- Assembly may be mounted in any position except upside down.
- Valve position indicator shows valve position after installation.
- Assembly ships with the set screws on the coupling loose. Once light off position has been established, tighten the set screws to 160 in-lb.

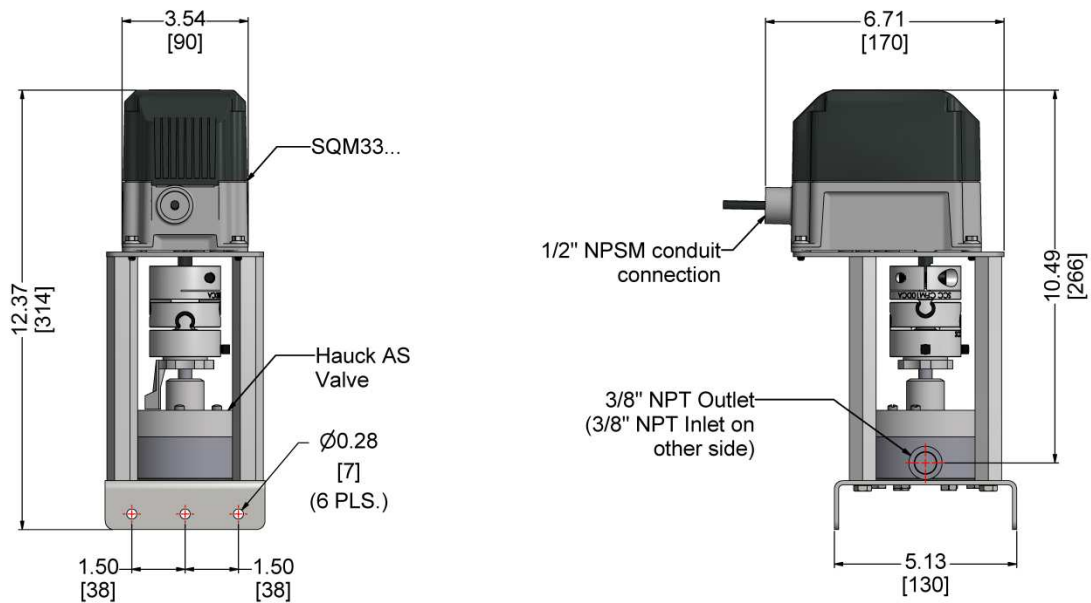
Dimensions

Dimensions in inches; millimeters in brackets

VA33... Assemblies Including a Hauck S Series Valve



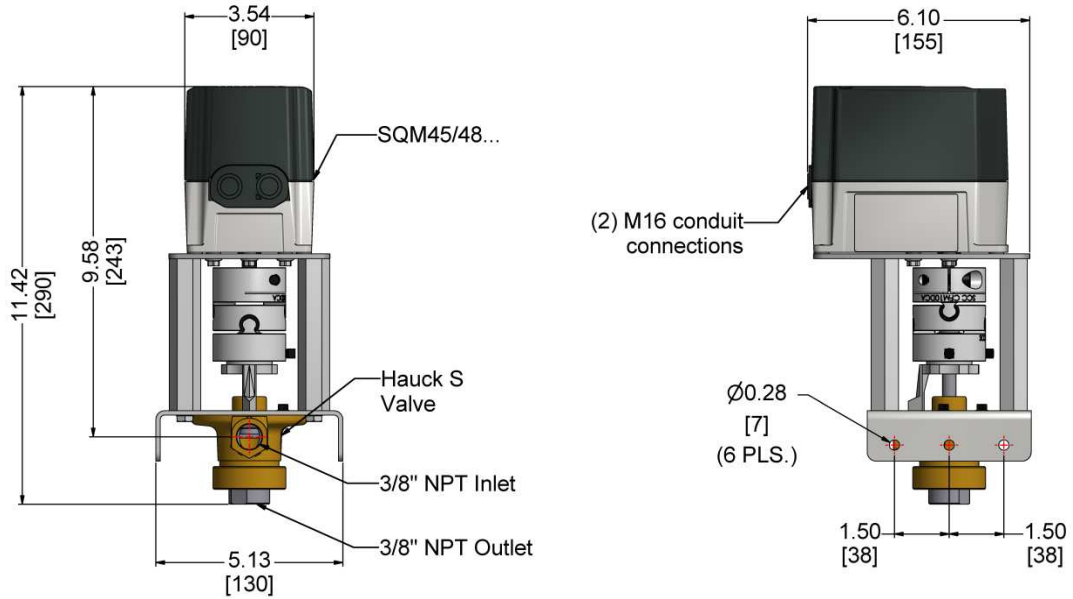
VA33... Assemblies Including a Hauck AS Series Valve



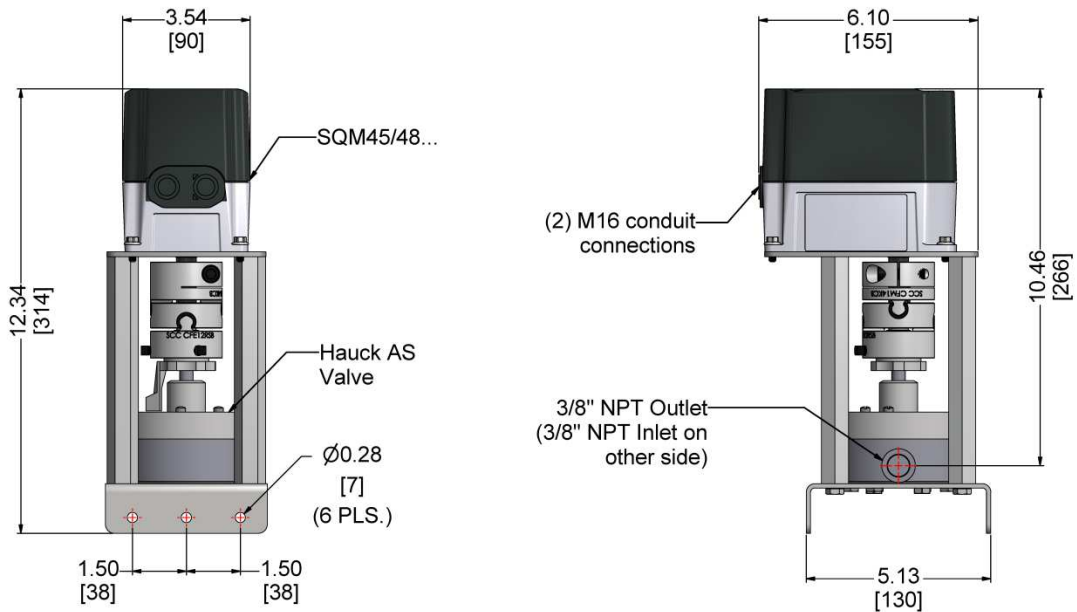
Dimensions (continued)

Dimensions in inches; millimeters in brackets

VA45... and VA48... Assemblies Including a Hauck S Series Valve



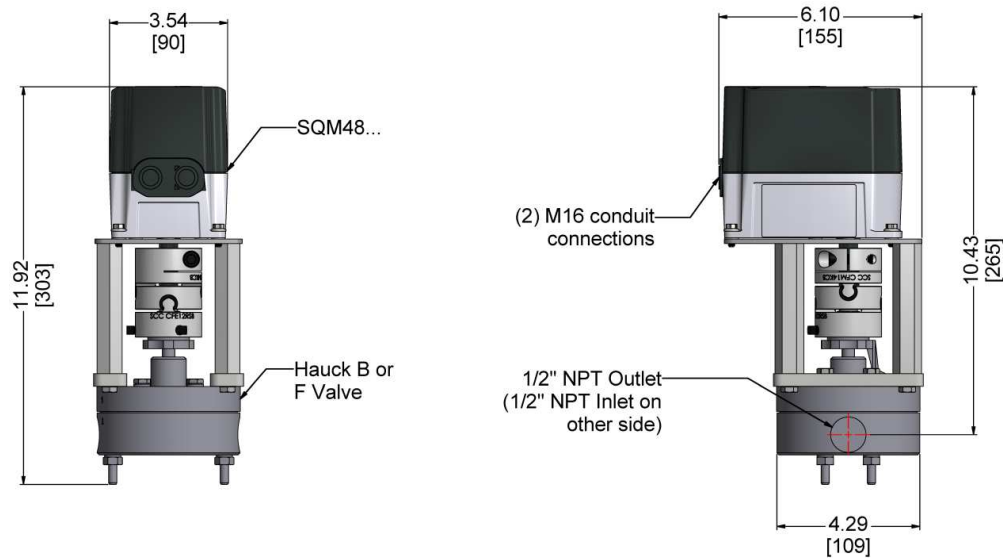
VA45... and VA48... Assemblies Including a Hauck AS Series Valve



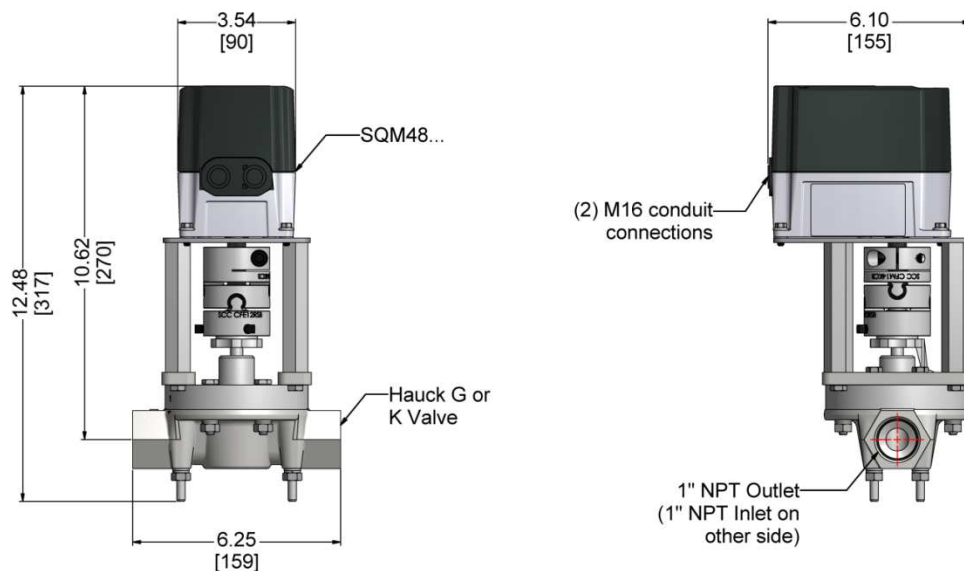
Dimensions (continued)

Dimensions in inches; millimeters in brackets

VA48... Assemblies Including a Hauck B or F Series Valve



VA48... Assemblies Including a Hauck G or K Series Valve



Information in this publication is based on current specifications. The company reserves the right to make changes in specifications and models as design improvements are introduced. Product or company names mentioned herein may be the trademarks of their respective owners. © 2009 SCC Inc.