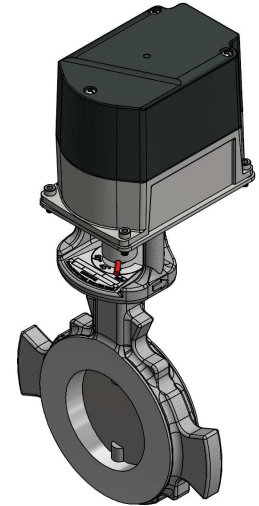


VA Series

VA...VKF1x Valve Actuator Assemblies with VKF1... Butterfly Valves



Description

VA...VKF1x valve actuator assemblies include a Siemens SQM... actuator reliably mounted to a VKF1... butterfly valve.

Features

- Precision machined components enable a solid shaft coupling
- Shaft coupling provides a positive connection without actuator or valve shaft damage
- VKF1... valve sizes from 1-1/4" to 8"
- Includes Siemens SQM33, SQM40, SQM45, or SQM5 actuator

Application

VA...VKF1x valve actuator assemblies mount an SQM33, SQM40, SQM45, or SQM5 actuator to a VKF1... butterfly valve. The Siemens VKF1... valve and SQM... actuator are rigidly mounted with precisely engineered brackets and couplings to ensure shaft alignment. VKF1... technical instructions (n7673us) provide sizing and additional valve information.

Product Part Numbers

The following chart provides VA...VKF1x assembly part number identification including an SQM33, SQM40, or SQM45 actuator. Technical instructions for SQM33 (n7813), SQM40 (n7817), or SQM45 (n7814) actuators are available at www.scccombustion.com.

	VA	45.2	-	2.0	VKF	10
Valve Actuator Assembly						
Actuator						
33 = SQM33.550A9 (stepper, 27 in-lb, for use with LMV3...)						
33.7 = SQM33.750A9 (stepper, 90 in-lb, for use with LMV3...)						
40.11 = SQM40.115R11 (12.5 sec, 135 Ohm/2-10 VDC, high/low fire feedback)						
40.14 = SQM40.145A21 (12.5 sec, 4-20 mA/135 Ohm/2-10 VDC)						
40.15 = SQM40.155R11 (12.5 sec, 4-20 mA, independent aux switch)						
40.16 = SQM40.165... (12.5 sec, 3-position, high/low fire feedback)						
40.18 = SQM40.185R11 (12.5 sec, 3-position, 3 independent aux switches)						
40.21 = SQM40.215R11 (25 sec, 135 Ohm/2-10 VDC, high/low fire feedback)						
40.24 = SQM40.245A21 (25 sec, 4-20 mA/135 Ohm/2-10 VDC)						
40.25 = SQM40.255... (25 sec, 4-20 mA, independent aux switch)						
40.26 = SQM40.265... (25 sec, 3-position, high/low fire feedback)						
40.27 = SQM40.275R10 (25 sec, high/low basic version)						
40.28 = SQM40.285R11 (25 sec, 3-position, 3 independent aux switches)						
45.2 = SQM45.295B9 (stepper, for use with LMV5...)						
Voltage						
Blank = 120 Vac SQM40 or standard SQM33 or SQM45						
(220) = 220 Vac (not available for SQM33 or SQM45 actuators)						
Valve Size						
1.25 = 1-1/4" VKF1x.032						
1.5 = 1-1/2" VKF1x.040						
2.0 = 2" VKF1x.050						
2.5 = 2-1/2" VKF1x.065						
3.0 = 3" VKF1x.080						
4.0 = 4" VKF1x.100						
5.0 = 5" VKF1x.125						
6.0 = 6" VKF1x.150						
8.0 = 8" VKF1x.200						
VKF Valve						
Valve Type						
10 = Swing-through (360° rotation)						
11 = Mechanical stop at closed position						

Product Part Numbers (continued)

The following chart provides VA...VKF1x assembly part number identification including an SQM50 actuator. Technical instructions for SQM5 (155-517) actuators are available at www.scccombustion.com.

	VA	50	.	4	Z	7	-	4.0	VKF	10	-	N4
Valve Actuator Assembly												
Actuator												
50 = SQM50												
Torque / Timing												
2 = 90 in-lb, 8 sec for 90° stroke												
3 = 140 in-lb, 12 sec for 90° stroke												
4 = 140 in-lb, 25 sec for 90° stroke												
Control Board												
Blank = AGA56.41A... (4-20 mA input)												
A = AGA56.1A97 (position proportional control)												
H = AGA56.42A... (0-135 Ω input)												
K = AGA56.43A... (0-10 Vdc input)												
Z = AGA56.9... (all inputs/outputs)												
Potentiometer												
Blank = ASZ12.30 (1000Ω, 90°) on "G", "H", "K", or "Z" board; none on "A" board												
3 = ASZ12.30 (1000Ω, 90°) on "A" board only												
7 = ASZ22.30 (1000Ω/1000Ω, 90°)												
Voltage												
Blank = 120 Vac												
(220) = 220 Vac												
(24) = 24 Vac												
Valve Size												
1.25 = 1-1/4" VKF1x.032												
1.5 = 1-1/2" VKF1x.040												
2.0 = 2" VKF1x.050												
2.5 = 2-1/2" VKF1x.065												
3.0 = 3" VKF1x.080												
4.0 = 4" VKF1x.100												
5.0 = 5" VKF1x.125												
6.0 = 6" VKF1x.150												
8.0 = 8" VKF1x.200												
VKF Valve												
Valve Type												
10 = Swing-through (360° rotation)												
11 = Mechanical stop at closed position												
Actuator NEMA Rating												
Blank = NEMA 12												
N4 = NEMA 4												

Installation

- VKF1... valves can accommodate flow in either direction. The VA...VKF1x assembly may be mounted in either direction for actuator wiring convenience.
- Assembly may be mounted in any position except upside down.
- Valve position indicator shows valve position.

Dimensions

Dimensions in inches; millimeters in brackets

VA33...VKF1x Valve Actuator Assemblies

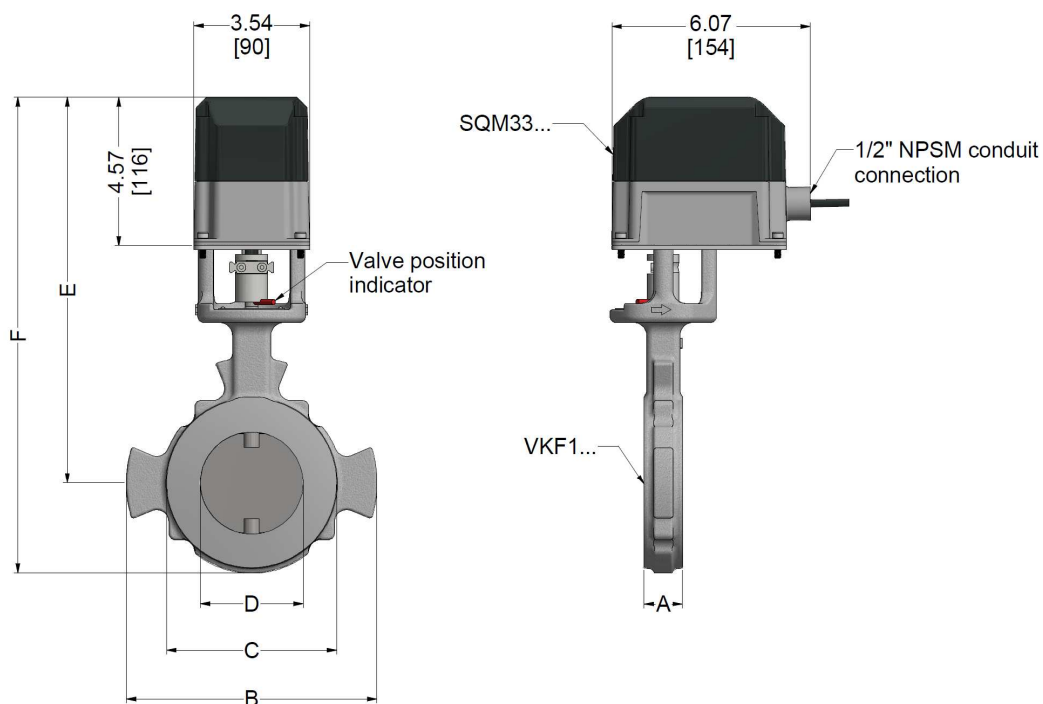


Table 1: VA33...VKF1x Dimensions¹

Valve Part Number	Valve Size	A	B	C	D	E	F
VKF1x.032	1-1/4"	1.18 [30]	4.72 [120]	2.83 [72]	1.26 [32]	10.91 [277]	12.34 [313]
VKF1x.040	1-1/2"	1.18 [30]	5.12 [130]	3.21 [81]	1.57 [40]	11.07 [281]	12.69 [322]
VKF1x.050	2"	1.18 [30]	6.10 [155]	3.97 [101]	1.97 [50]	11.26 [286]	13.27 [337]
VKF1x.065	2-1/2"	1.18 [30]	6.50 [165]	4.72 [120]	2.56 [65]	11.56 [294]	14.80 [376]
VKF1x.080	3"	1.18 [30]	7.68 [195]	5.21 [132]	3.15 [80]	11.85 [301]	14.63 [372]
VKF1x.100	4"	1.18 [30]	8.66 [220]	6.30 [160]	3.94 [100]	12.25 [311]	16.03 [407]
VKF1x.125	5"	1.57 [40]	9.84 [250]	7.48 [190]	4.92 [125]	13.72 [348]	18.04 [458]
VKF1x.150	6"	1.57 [40]	11.81 [300]	8.50 [216]	5.91 [150]	14.22 [361]	19.72 [501]
VKF1x.200	8"	1.57 [40]	13.39 [340]	10.67 [271]	7.87 [200]	15.20 [386]	21.89 [556]

¹ Mating flange bolt circles and recommended bolts can be found in VKF1... Technical Instructions n7673us.

Dimensions (continued)

Dimensions in inches; millimeters in brackets

VA40...VKF1x Valve Actuator Assemblies

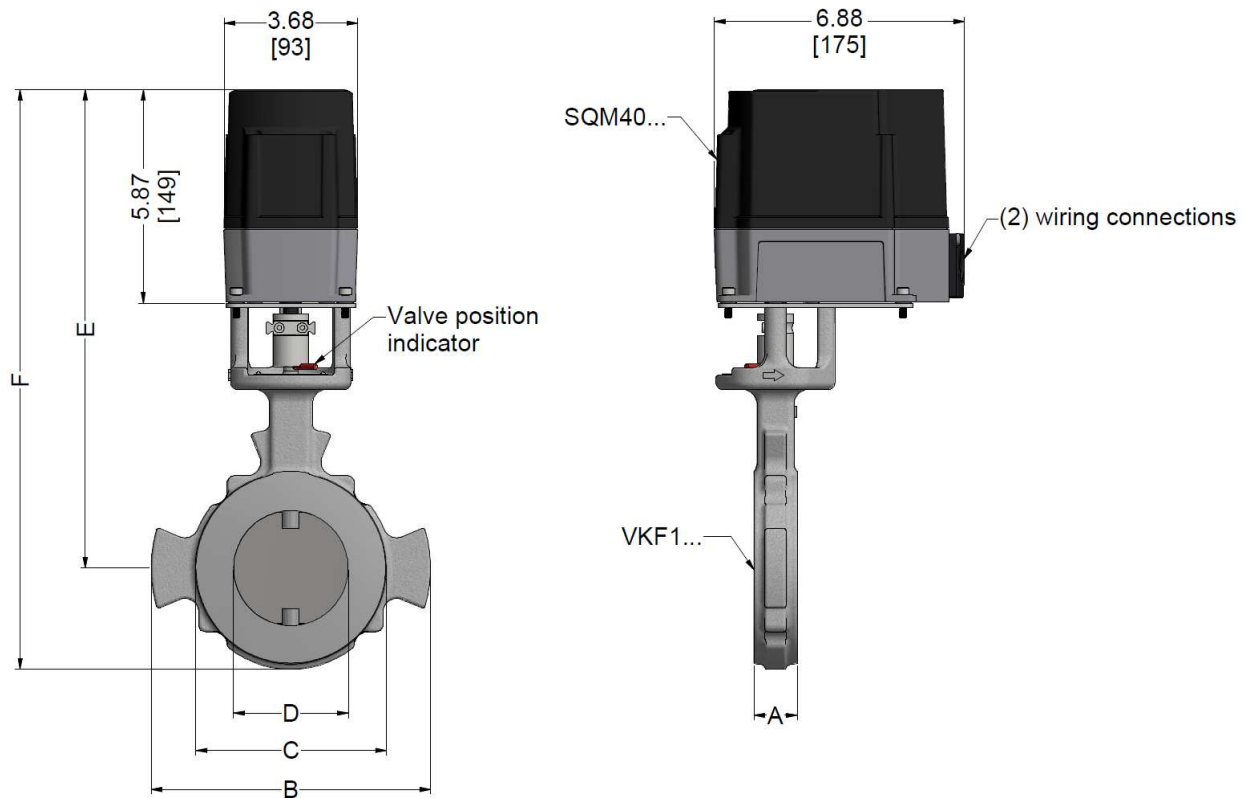


Table 2: VA40...VKF1x Dimensions¹

Valve Part Number	Valve Size	A	B	C	D	E	F
VKF1x.032	1-1/4"	1.18 [30]	4.72 [120]	2.83 [72]	1.26 [32]	12.21 [310]	13.64 [346]
VKF1x.040	1-1/2"	1.18 [30]	5.12 [130]	3.21 [81]	1.57 [40]	12.37 [314]	13.99 [355]
VKF1x.050	2"	1.18 [30]	6.10 [155]	3.97 [101]	1.97 [50]	12.56 [319]	14.57 [370]
VKF1x.065	2-1/2"	1.18 [30]	6.50 [165]	4.72 [120]	2.56 [65]	12.86 [327]	16.10 [409]
VKF1x.080	3"	1.18 [30]	7.68 [195]	5.21 [132]	3.15 [80]	13.15 [334]	15.93 [405]
VKF1x.100	4"	1.18 [30]	8.66 [220]	6.30 [160]	3.94 [100]	13.55 [344]	17.33 [440]
VKF1x.125	5"	1.57 [40]	9.84 [250]	7.48 [190]	4.92 [125]	15.02 [382]	19.34 [491]
VKF1x.150	6"	1.57 [40]	11.81 [300]	8.50 [216]	5.91 [150]	15.52 [394]	21.02 [534]
VKF1x.200	8"	1.57 [40]	13.39 [340]	10.67 [271]	7.87 [200]	16.50 [419]	23.19 [589]

¹ Mating flange bolt circles and recommended bolts can be found in VKF1... Technical Instructions n7673us.

Dimensions (continued)

Dimensions in inches; millimeters in brackets

VA45...VKF1x Valve Actuator Assemblies

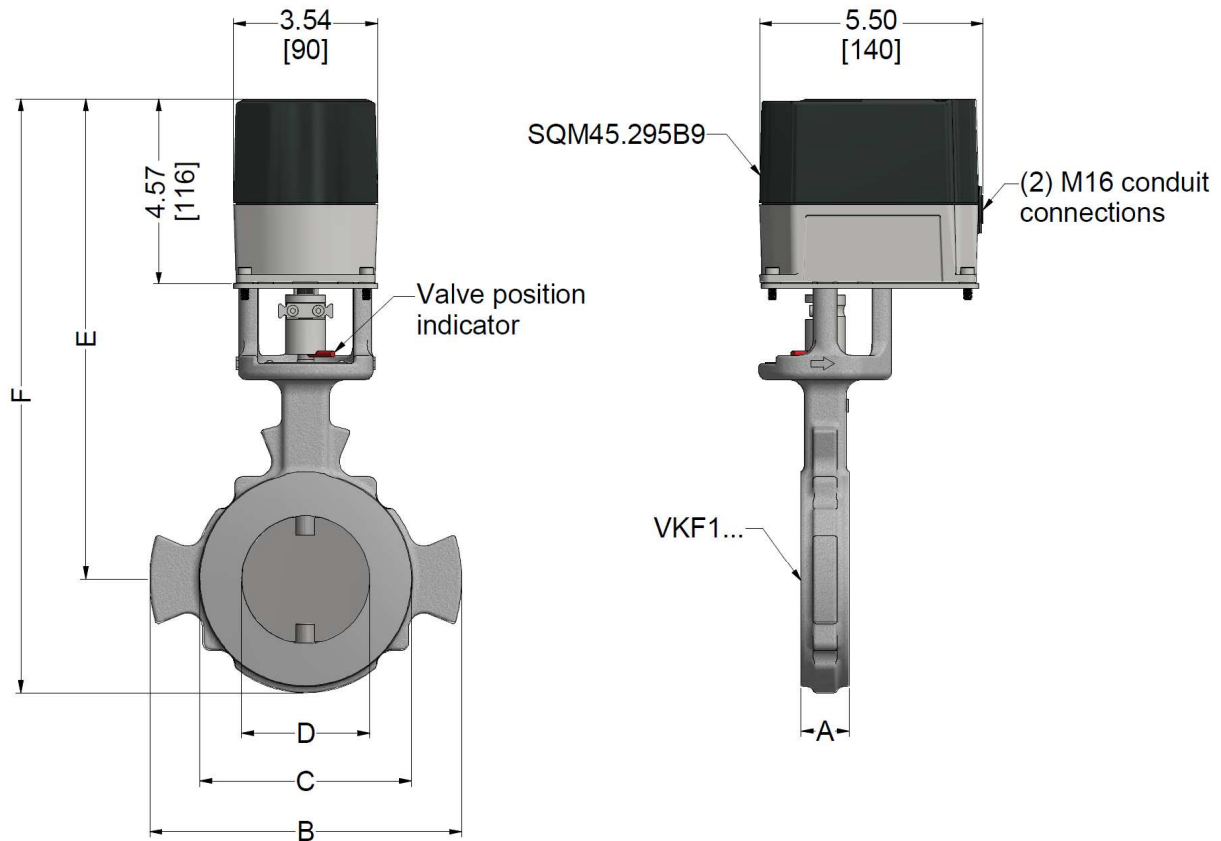


Table 3: VA45...VKF1x Dimensions¹

Valve Part Number	Valve Size	A	B	C	D	E	F
VKF1x.032	1-1/4"	1.18 [30]	4.72 [120]	2.83 [72]	1.26 [32]	10.91 [277]	12.34 [313]
VKF1x.040	1-1/2"	1.18 [30]	5.12 [130]	3.21 [81]	1.57 [40]	11.07 [281]	12.69 [322]
VKF1x.050	2"	1.18 [30]	6.10 [155]	3.97 [101]	1.97 [50]	11.26 [286]	13.27 [337]
VKF1x.065	2-1/2"	1.18 [30]	6.50 [165]	4.72 [120]	2.56 [65]	11.56 [294]	14.80 [376]
VKF1x.080	3"	1.18 [30]	7.68 [195]	5.21 [132]	3.15 [80]	11.85 [301]	14.63 [372]
VKF1x.100	4"	1.18 [30]	8.66 [220]	6.30 [160]	3.94 [100]	12.25 [311]	16.03 [407]
VKF1x.125	5"	1.57 [40]	9.84 [250]	7.48 [190]	4.92 [125]	13.72 [348]	18.04 [458]
VKF1x.150	6"	1.57 [40]	11.81 [300]	8.50 [216]	5.91 [150]	14.22 [361]	19.72 [501]
VKF1x.200	8"	1.57 [40]	13.39 [340]	10.67 [271]	7.87 [200]	15.20 [386]	21.89 [556]

¹ Mating flange bolt circles and recommended bolts can be found in VKF1... Technical Instructions n7673us.

Dimensions (continued)

Dimensions in inches; millimeters in brackets

VA50...VKF1x Valve Actuator Assemblies

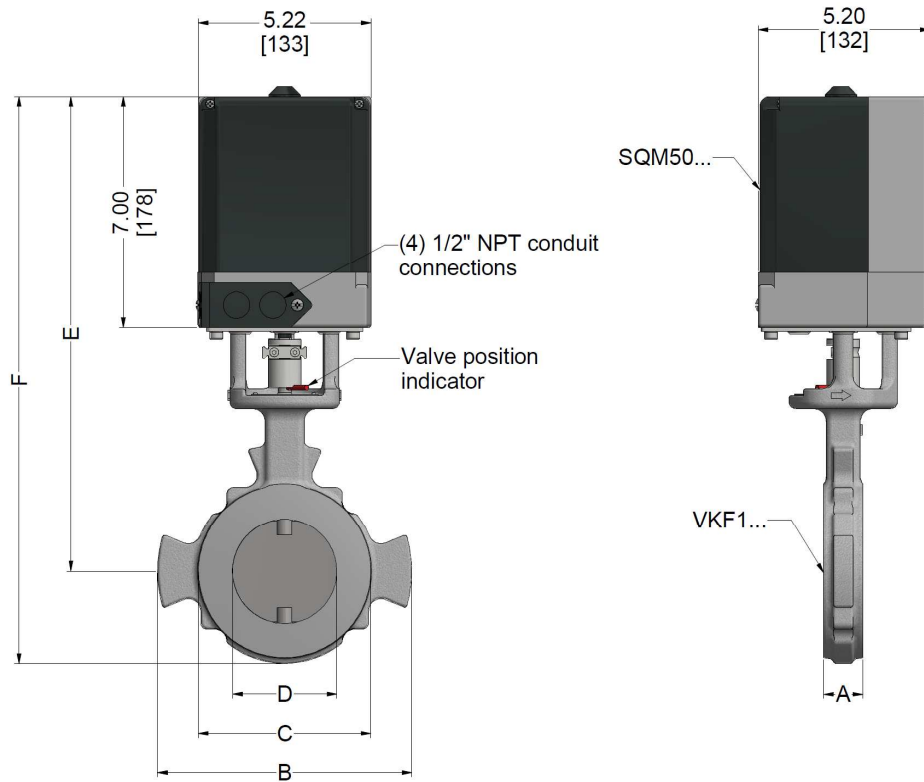


Table 4: VA50...VKF1x Dimensions¹

Valve Part Number	Valve Size	A	B	C	D	E	F
VKF1x.032	1-1/4"	1.18 [30]	4.72 [120]	2.83 [72]	1.26 [32]	13.34 [310]	14.77 [375]
VKF1x.040	1-1/2"	1.18 [30]	5.12 [130]	3.21 [81]	1.57 [40]	13.50 [314]	15.12 [384]
VKF1x.050	2"	1.18 [30]	6.10 [155]	3.97 [101]	1.97 [50]	13.69 [319]	15.70 [399]
VKF1x.065	2-1/2"	1.18 [30]	6.50 [165]	4.72 [120]	2.56 [65]	13.99 [327]	17.23 [438]
VKF1x.080	3"	1.18 [30]	7.68 [195]	5.21 [132]	3.15 [80]	14.28 [334]	17.06 [433]
VKF1x.100	4"	1.18 [30]	8.66 [220]	6.30 [160]	3.94 [100]	14.68 [344]	18.46 [469]
VKF1x.125	5"	1.57 [40]	9.84 [250]	7.48 [190]	4.92 [125]	16.15 [382]	20.47 [520]
VKF1x.150	6"	1.57 [40]	11.81 [300]	8.50 [216]	5.91 [150]	16.65 [394]	22.15 [563]
VKF1x.200	8"	1.57 [40]	13.39 [340]	10.67 [271]	7.87 [200]	17.63 [419]	24.32 [618]

¹ Mating flange bolt circles and recommended bolts can be found in VKF1... Technical Instructions n7673us.

Dimensions (continued)

Dimensions in inches; millimeters in brackets

VA50...VKF1x-N4 Valve Actuator Assemblies

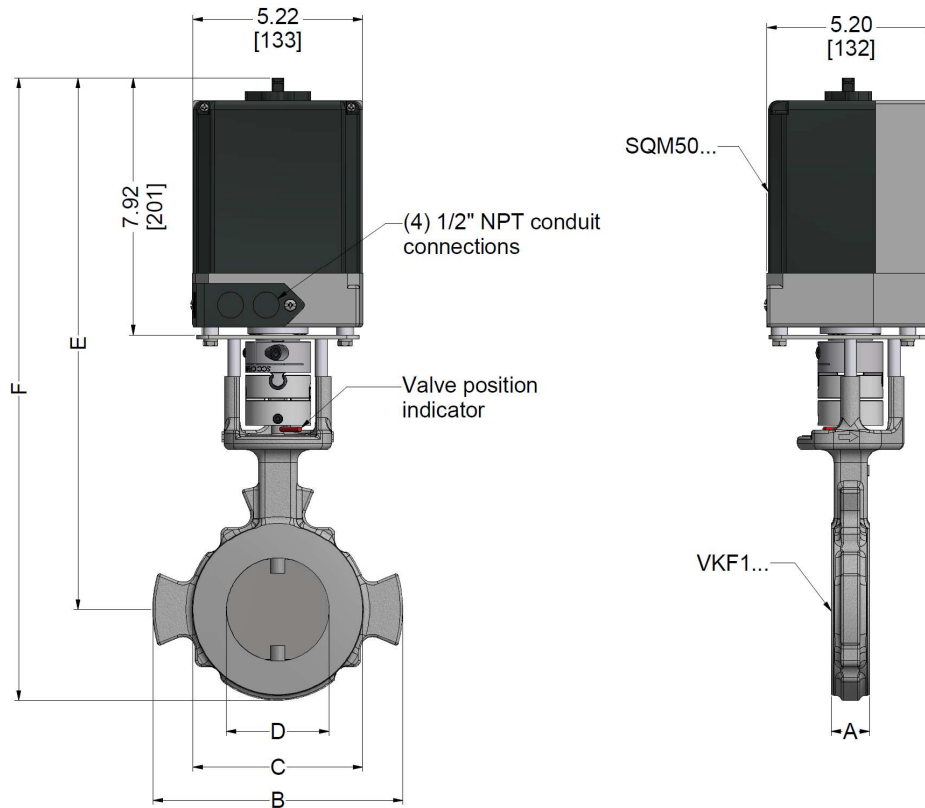


Table 4: VA50...VKF1x-N4 Dimensions¹

Valve Part Number	Valve Size	A	B	C	D	E	F
VKF1x.032	1-1/4"	1.18 [30]	4.72 [120]	2.83 [72]	1.26 [32]	15.42 [392]	16.86 [428]
VKF1x.040	1-1/2"	1.18 [30]	5.12 [130]	3.21 [81]	1.57 [40]	15.58 [396]	17.20 [437]
VKF1x.050	2"	1.18 [30]	6.10 [155]	3.97 [101]	1.97 [50]	15.77 [401]	17.78 [452]
VKF1x.065	2-1/2"	1.18 [30]	6.50 [165]	4.72 [120]	2.56 [65]	16.07 [408]	19.32 [491]
VKF1x.080	3"	1.18 [30]	7.68 [195]	5.21 [132]	3.15 [80]	16.36 [416]	19.14 [486]
VKF1x.100	4"	1.18 [30]	8.66 [220]	6.30 [160]	3.94 [100]	16.76 [426]	20.54 [522]
VKF1x.125	5"	1.57 [40]	9.84 [250]	7.48 [190]	4.92 [125]	18.24 [463]	22.55 [573]
VKF1x.150	6"	1.57 [40]	11.81 [300]	8.50 [216]	5.91 [150]	18.73 [476]	24.24 [616]
VKF1x.200	8"	1.57 [40]	13.39 [340]	10.67 [271]	7.87 [200]	19.71 [501]	26.40 [671]

¹ Mating flange bolt circles and recommended bolts can be found in VKF1... Technical Instructions n7673us.

Information in this publication is based on current specifications. The company reserves the right to make changes in specifications and models as design improvements are introduced. Product or company names mentioned herein may be the trademarks of their respective owners. © 2019 SCC Inc.