

BR-OV-S...

Product Description

A BR-OV-S... bracket / coupling kit reliably mounts any Hauck S oil valve to a Siemens SQM... actuator.

Components Supplied

Figure 1 shows the components supplied with a BR-OV-S... bracket / coupling kit:

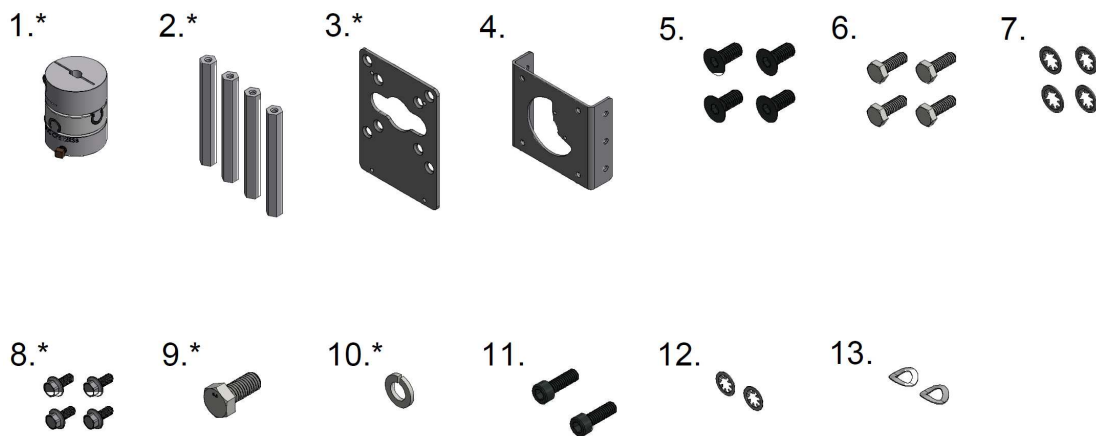


Figure 1: Components Supplied with a BR-OV-S... Bracket / Coupling Kit

- | | |
|---|---|
| 1. Shaft coupling | 8. (2) or (4) M5 x 12mm thread-forming screws |
| 2. (4) hex standoffs | 9. M8 x 18mm hex head cap screw (BR-OV-S-4-1 or BR-OV-S-7-2 for SQM5... only) |
| 3. Actuator mounting bracket | 10. M8 split lock washer (BR-OV-S-4-1 or BR-OV-S-7-2 for SQM5... only) |
| 4. Valve mounting bracket | 11. (2) #8-32 x 1/2" socket head cap screws |
| 5. (4) 1/4"-20 x 3/4" flat socket head cap screws | 12. (2) #8 internal tooth lock washers |
| 6. (4) 1/4"-20 x 3/4" hex head cap screws | 13. (2) #8 wave washers |
| 7. (4) 1/4" internal tooth lock washers | |

* Component varies depending on the BR-OV-S... bracket / coupling kit. Image shown in Figure 1 may not be representative of actual component.

Recommended Installation Tools

The following tools are recommended for installing the BR-OV-S... bracket / coupling kit:

- Crescent wrench
- Flathead screwdriver
- Grease
- 9/64" hex key
- 7/16" wrench
- Purple Loctite
- 5/32" hex key
- 8mm socket with 6" ratchet extension (1/4" drive)
- 1/4" drive ratchet
- 13mm wrench
- 8mm wrench
- 1/4" hex key

Installation Procedure

1. Using a crescent wrench, remove the acorn nut and washer from the top of the valve stem. With the flathead screwdriver, remove the two pan head screws from the top of the valve. All of these parts can be discarded.

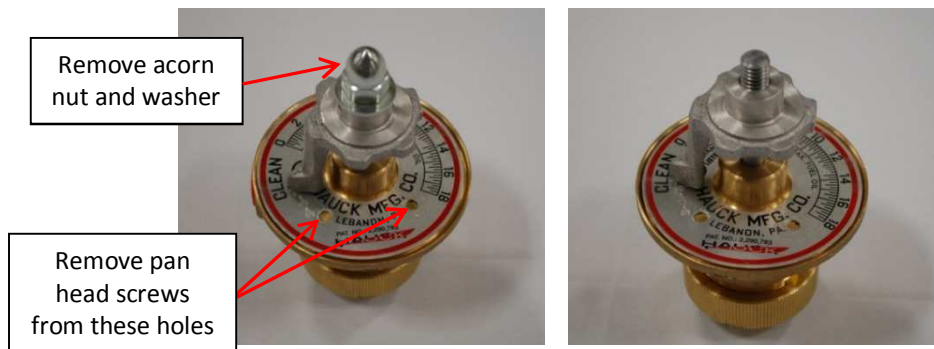


Figure 2: Acorn Nut, Washer, and Pan Head Screw Removal

2. Place a bit of grease around the two holes in the bottom of the valve mounting bracket. Stick a #8 wave washer around each hole as shown in Figure 3 below. The grease acts like glue to hold the wave washers in place for the next assembly step.

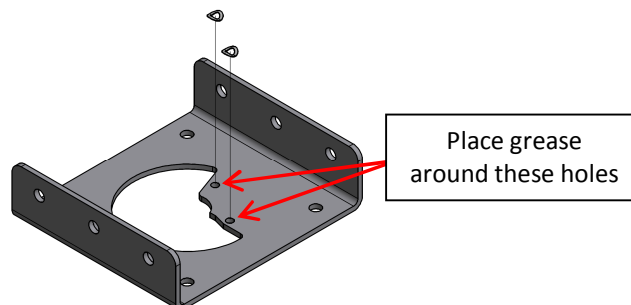


Figure 3: Wave Washer Placement

Installation Procedure (continued)

- Slide the valve mounting bracket over the valve stem and line up the two small holes in the mounting bracket with the two threaded holes in the valve. Using the 9/64" hex key, the (2) #8-32 x 1/2" socket head cap screws, and the (2) #8 internal tooth lock washers, fasten the valve mounting bracket to the valve as shown in Figure 4. The screws should go through the wave washers that were used in the previous step.

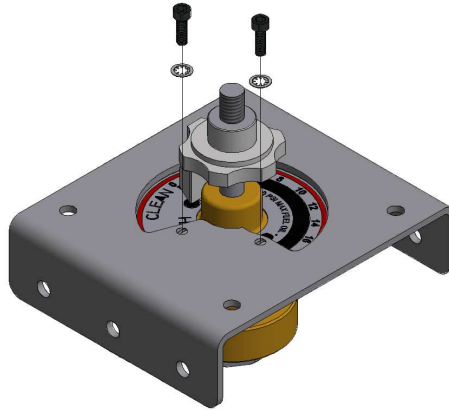


Figure 4: Bracket / Valve Assembly

- Slide the coupling over the valve stem, but do not tighten the set screws. If the coupling does not slide over the valve stem easily, gently file down the ends of the roll pin that is pressed through the valve stem. Once complete, the assembly should look like Figure 5 below.



Figure 5: Coupling Installation

Note: The set screws must be tightened before or during burner commissioning. This step is application-specific.

Installation Procedure (continued)

- Using the 7/16" wrench and crescent wrench, the (4) 1/4"-20 x 3/4" hex head cap screws, and the (4) 1/4" internal tooth lock washers, fasten the (4) hex standoffs to the valve mounting bracket as shown in Figure 6 below.

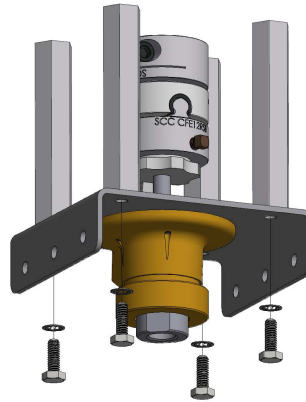


Figure 6: Standoff Installation

- Place the actuator mounting bracket on top of the (4) hex standoffs so that the (4) holes on the outer bolt circle line up with the holes in the standoffs. Note that the bracket can be mounted in four different orientations. Take care to choose the desired orientation. Place a small amount of purple Loctite on the tip of the (4) 1/4"-20 x 3/4" flat socket head cap screws. Using the 5/32" hex key and the (4) 1/4"-20 x 3/4" flat socket head cap screws, fasten the actuator mounting bracket to the standoffs.

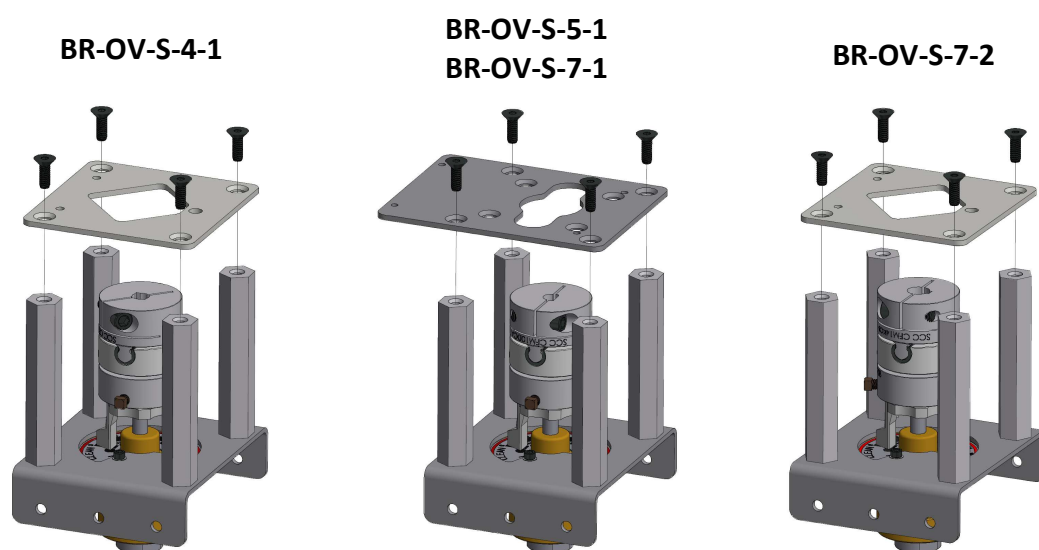


Figure 7: Actuator Mounting Bracket Installation

Installation Procedure (continued)

- BR-OV-S-4-1 / BR-OV-S-7-2:** Place the SQM5... actuator on top of the actuator mounting bracket. Slide the M8 split lock washer over the M8 x 18mm hex head cap screw. Slide the M8 screw through the appropriate hole in the actuator mounting bracket and thread it into the bottom of the actuator. Tighten this screw using the 13mm wrench. Then, using the 8mm wrench and the (2) M5 x 12mm thread-forming screws, finish securing the actuator to the actuator mounting bracket as shown below in Figure 8.

BR-OV-S-5-1 / BR-OV-S-7-1: Place the SQM... actuator on top of the actuator mounting bracket. Using the 8mm socket with 6" ratchet extension and the (4) M5 x 12mm thread-forming screws, fasten the actuator to the actuator mounting bracket as shown below in Figure 8. Take care to start the thread-forming screws as straight as possible.

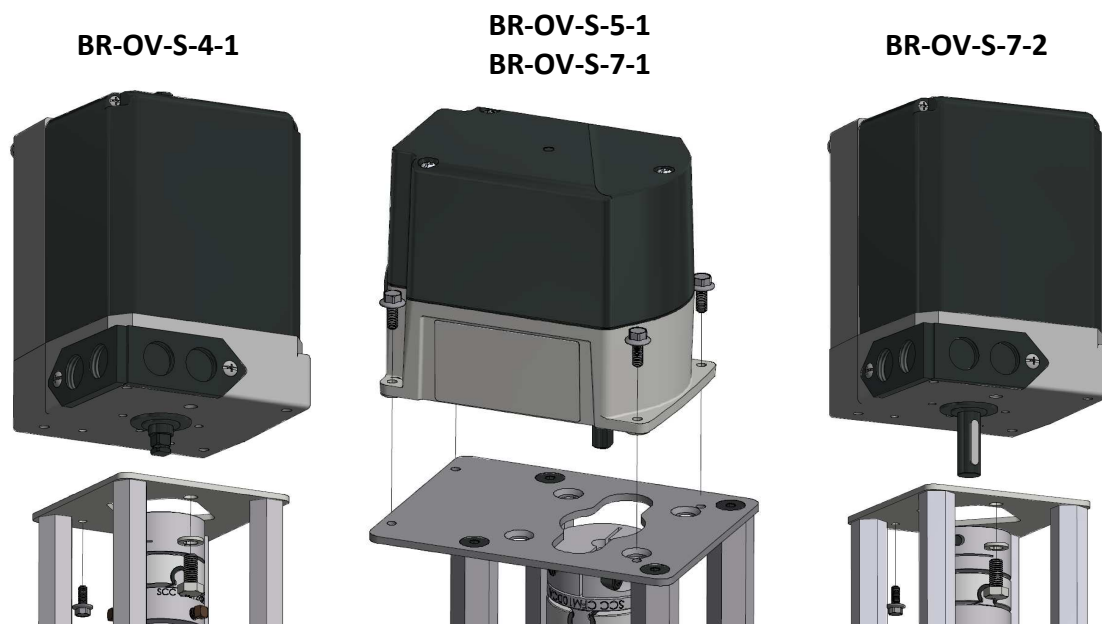


Figure 8: Actuator Installation

- Tighten the clamp screw on the coupling using the 1/4" hex key.

Information in this publication is based on current specifications. The company reserves the right to make changes in specifications and models as design improvements are introduced. Product or company names mentioned herein may be the trademarks of their respective owners. © 2019 SCC Inc.