



Interface module for PC OCI430A109 (PC software ACS420)

The OCI430A109 serves as an interface module between the ACS420 PC software and a LMS... basic unit.

The OCI430A109 and this Data Sheet are intended for use by OEMs which integrate the interface module in their products!

Use

The OCI430A109 is an interface module featuring galvanic isolation, which enables the LMS... basic units to be connected to a PC.

On the PC side, the OCI430A109 is to be connected to the USB port, on the basic unit side to the PSS port.

In connection with the ACS420 PC software, the following functions are provided:

- Visualization of unit data
- Parameterization of the basic units
- Logging

Warning notes



To avoid injury to persons, damage to property or the environment, the following warning notes must be observed!

Do not open, interfere with or modify the unit. Siemens will not assume responsibility for damage resulting from unauthorized interference!

- All activities (mounting, installation and service work, etc.) must be performed by qualified staff
- Before making any wiring changes in the connection area, completely isolate the plant from mains supply (all-polar disconnection). Ensure that the plant cannot be inadvertently switched on again and that it is indeed dead. If not observed, there is a risk of electric shock hazard
- Cable extensions on the basic unit side (PSS line) are not permitted since there is no safe separation from mains voltage

Mounting notes

- Ensure that the relevant national safety regulations are complied with
- Make certain that strain relief of the connected cables is in compliance with the relevant standards (e.g. as per DIN EN 60730 and DIN EN 60335)
- Ensure that the USB connector is correctly plugged into the PC and that it cannot work loose during the time the ACS420 PC software is used

Software installation

- When using the OCI430A109, the USB port on the PC requires special software components. These are delivered along with the ACS420 installation files

Standards and certificates



Conformity to EEC directives

- Electromagnetic compatibility EMC (immunity)
- Low-voltage directive

2004/108/EC

2006/95/EC

Disposal notes



The unit contains electrical and electronic components and must not be disposed of together with household waste. Local and currently valid legislation must be observed.

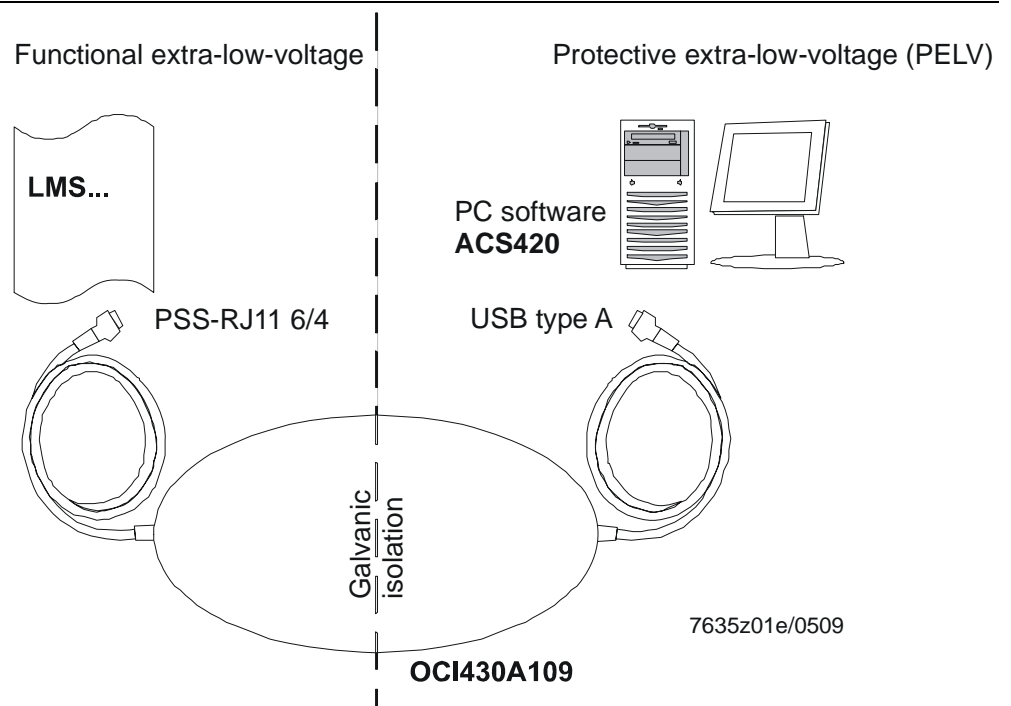
Technical data

OCI430A109	Operating voltage (USB supply)	DC 5 V \pm 5 % (PELV)
	Power consumption	<0.5 W
	Safety class	II
	Degree of protection	IP40 (to be ensured through mounting)
	Mounting position	Optional
System requirements	USB specification	Min. USB 1.1
	Operating system	Win2000/XP
Cable lengths	USB	Approx. 1.5 m
	PSS	Approx. 1.5 m
Environmental conditions	Storage	DIN EN 60721-3-1
	Climatic conditions	Class 1K3
	Mechanical conditions	Class 1M2
	Temperature range	-20...+60 °C
	Humidity	<95 % r.h.
	Transport	DIN EN 60721-3-2
	Climatic conditions	Class 2K2
	Mechanical conditions	Class 2M2
	Temperature range	-20...+60 °C
	Humidity	<95 % r.h.
	Operation	DIN EN 60721-3-3
	Climatic conditions	Class 3K3
	Mechanical conditions	Class 3M3
	Temperature range	-20...+60 °C
	Humidity	<95 % r.h.



Condensation, formation of ice and ingress of water are not permitted!

Connection diagram



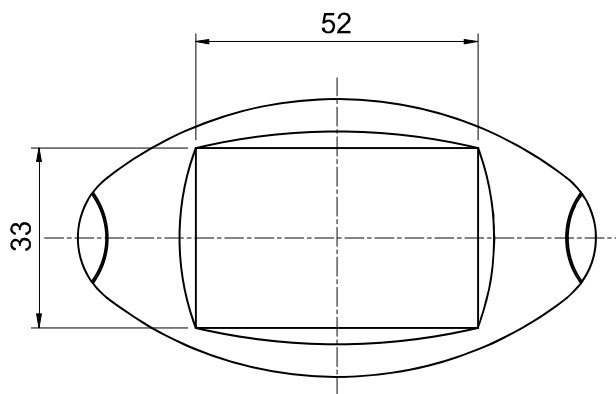
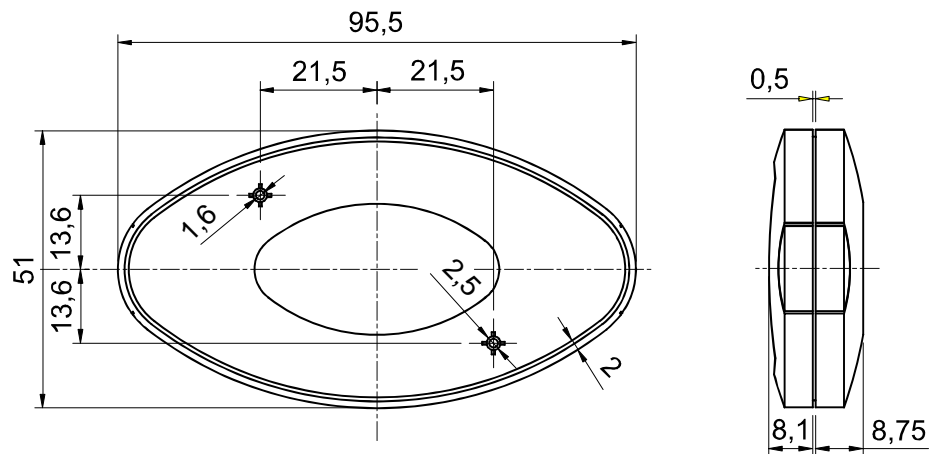
Indication of operating states via LEDs

LED color	Description
Green, steady	Standby (LMS..., connected and ready to operate)

Dimensions

Dimensions in mm

OCI430A109



7635m01/0309